

Masterfully *Designed...*
Skillfully *Built!*

Barn Owls Portable Buildings

10866 McKinley Highway
Osceola, IN 46561

Diana Gerardot

Lot Owner/Office Manager

219-218-0061

diana@barnowlsbuildings.com
www.barnowlsbuildings.com




Stoney Creek
CABINS



What is your log cabin dream?...

A cozy, rustic cabin in the woods? A place to stay at the lake? A guest cabin or office in your back yard?

At *Stoney Creek Cabins*, we have over 20 years of experience in the log-home industry. Quality craftsmanship is our priority. We offer a variety of cabin styles and sizes from which to choose. With 5 manufacturing facilities and many dealers located across the US and Canada, you will find convenience and efficiency with your purchase and installation of our log cabins.

"We look forward to working with you to bring your cabin dream to reality!"



The Timber Trail Series

"D"-Style

10'W x 20'L

The *Timber Trail Series* is perfect for a home office or studio. Its log walls create a quiet retreat.



The Bear Lake Series



"D"-Style

12'W x 30'L

The *Bear Lake Series* is our #1 seller! It is great for any 3-season cabin with the butt-and-pass log corners, giving it that authentic log-cabin look.



The Redwood Series

"D"-Style

12'W x 36'L

The *Redwood Series* is our budget-friendly model, and is perfect whether you are skiing, snowmobiling, or ice fishing.



The Yellowstone Series

"D"-Style

14'W x 42'L

The *Yellowstone Series* is large enough for family outings, camping, fishing, or a peaceful retreat.



The Appalachian Series

Chink-Style

10'W x 20'L

12'W x 30'L

12'W x 36'L

14'W x 42'L

The *Appalachian Series* comes chinked, and is hand-hewn for that authentic look. It is perfect for campgrounds or hunting camps, at the lake or for that rental or development project you have in mind.



The Elk Creek Series

"D"-Style

12'W x 28'L

12'W x 40'L

The *Elk Creek Series* is unique in its own way. This cabin features trapezoidal windows on the front and back walls, which offer a bright and welcoming appearance.



The Pikes Peak Series

"D"-Style

14'W x 20'L

14'W x 30'L

14'W x 40'L

The *Pikes Peak Series* is a classic A-frame cabin. A style of the past! Once popular in campgrounds, and parks. Now you can enjoy this reimagined rustic cabin for yourself.



The Rivers Edge Series



"D"-Style

24'W x 24'L
24'W x 30'L
24'W x 36'L
24'W x 40'L

The *Rivers Edge Series* is a spacious modular cabin. Perfect for a lodge on the lake or along the river, or that group getaway.

D-Style

In cross-section, the shape of the *D-Style* log resembles a capital letter "D": the interior side is flat, while the exterior side is curved. The interior side allows studs to be installed directly against the logs. The rounded exterior side enhances that authentic log cabin look.

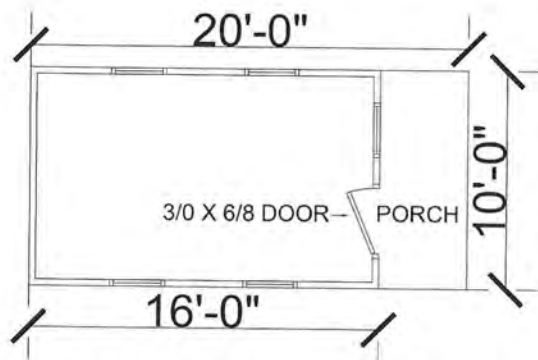


Chinking

Chinking is a sealant applied between the joints of log homes. It is a textured substance similar to mortar. It is very flexible, and can be used in place of caulk. Chinking keeps moisture out, and protects log homes from moisture-related damage.

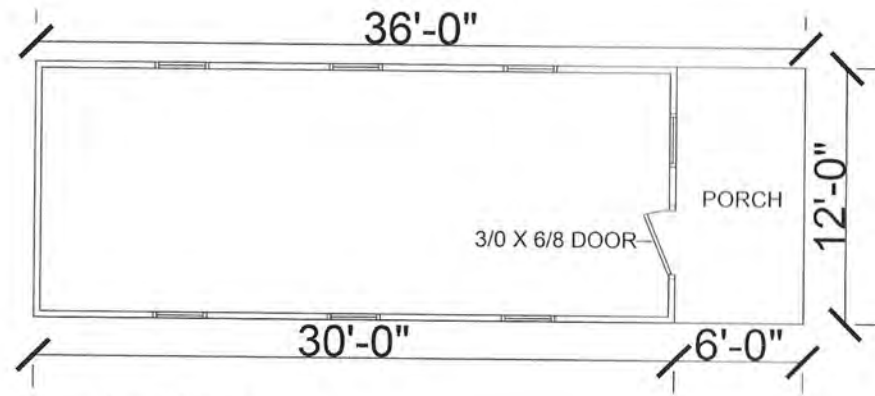


Floor plans



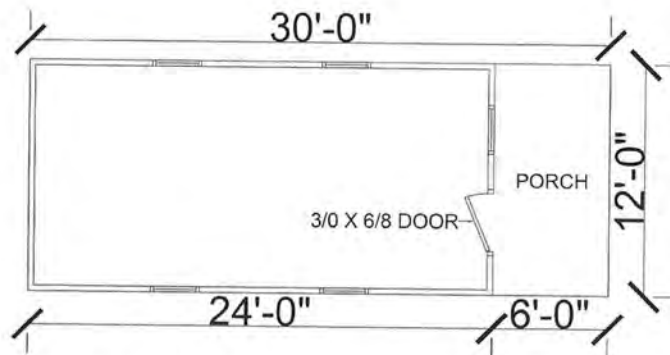
Available in:

- ~ Timber Trail Series
- ~ Appalachian Series



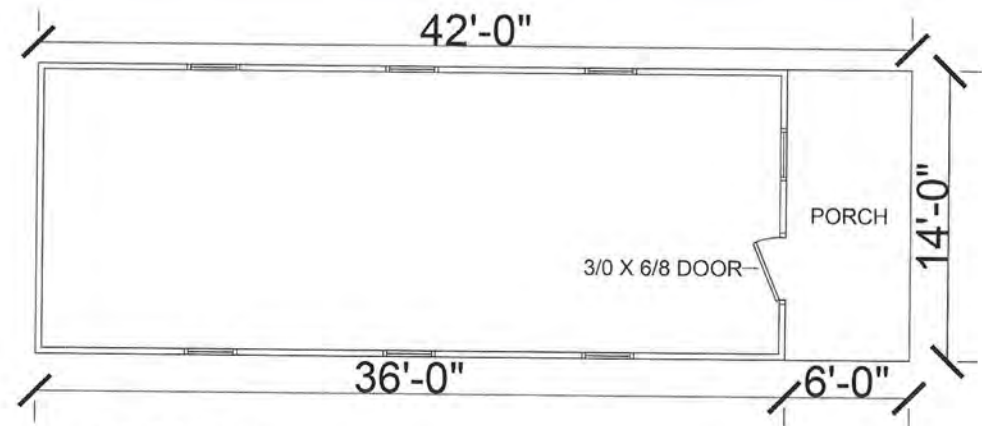
Available in:

- ~ Redwood Series
- ~ Appalachian Series



Available in:

- ~ Bear Lake Series
- ~ Appalachian Series



Available in:

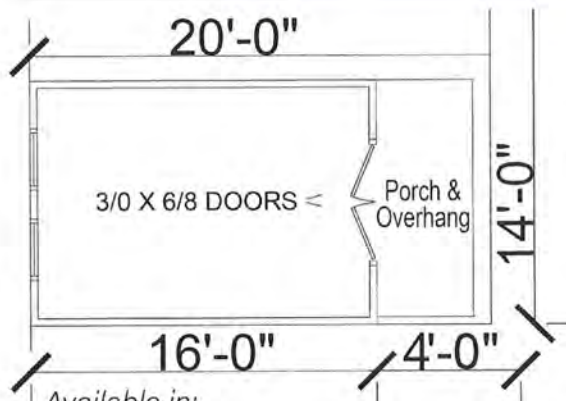
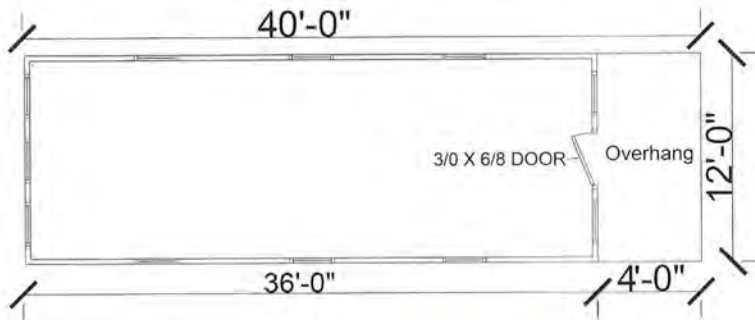
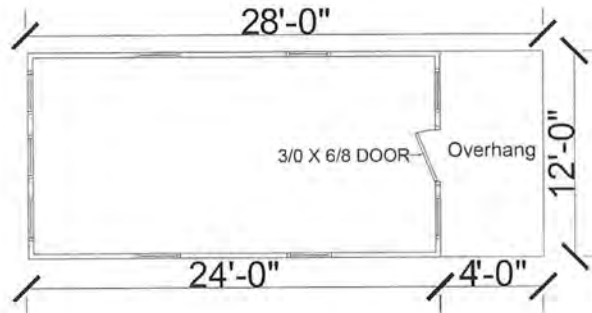
- ~ Yellowstone Series
- ~ Appalachian Series

Floor plans (continued)

Available in:

~ Elk Creek Series

With trapezoid windows in both gables.

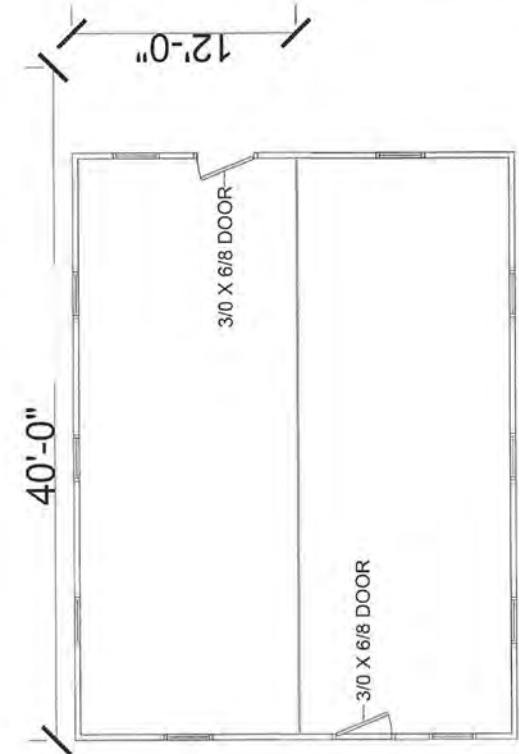
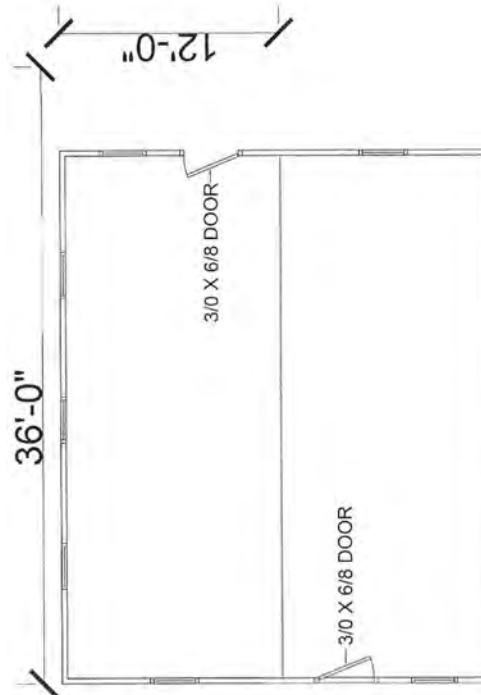
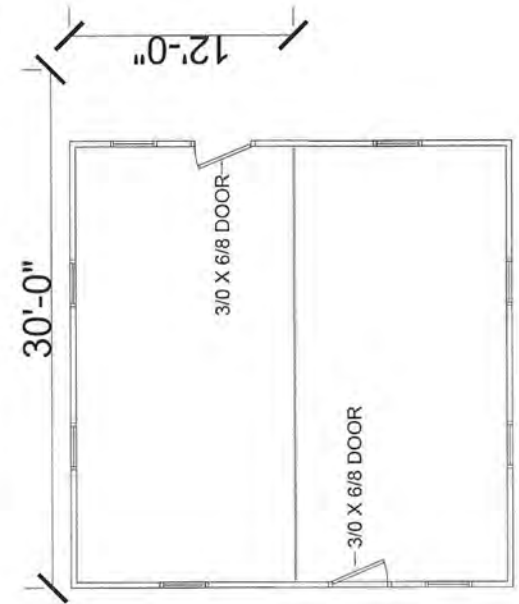
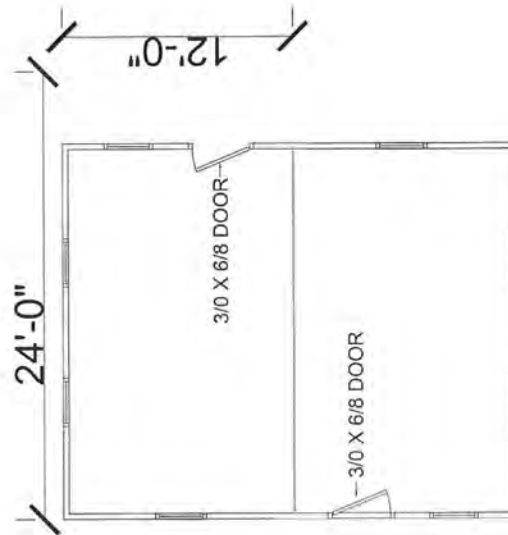


Available in:

~ Pikes Peak Series

With triangle windows in the gable ends.

Available in: ~ Rivers Edge



Delivery & setup



Masterfully *Designed...*
Skillfully *Built!*



Barn Cuts Portable Buildings
10866 McKinley Highway
Osceola, IN 46561
Phone: (219) 218-0061